

4.7V to 18V Input, 5A Synchronous Buck Regulators with AOT Control

Brief Description

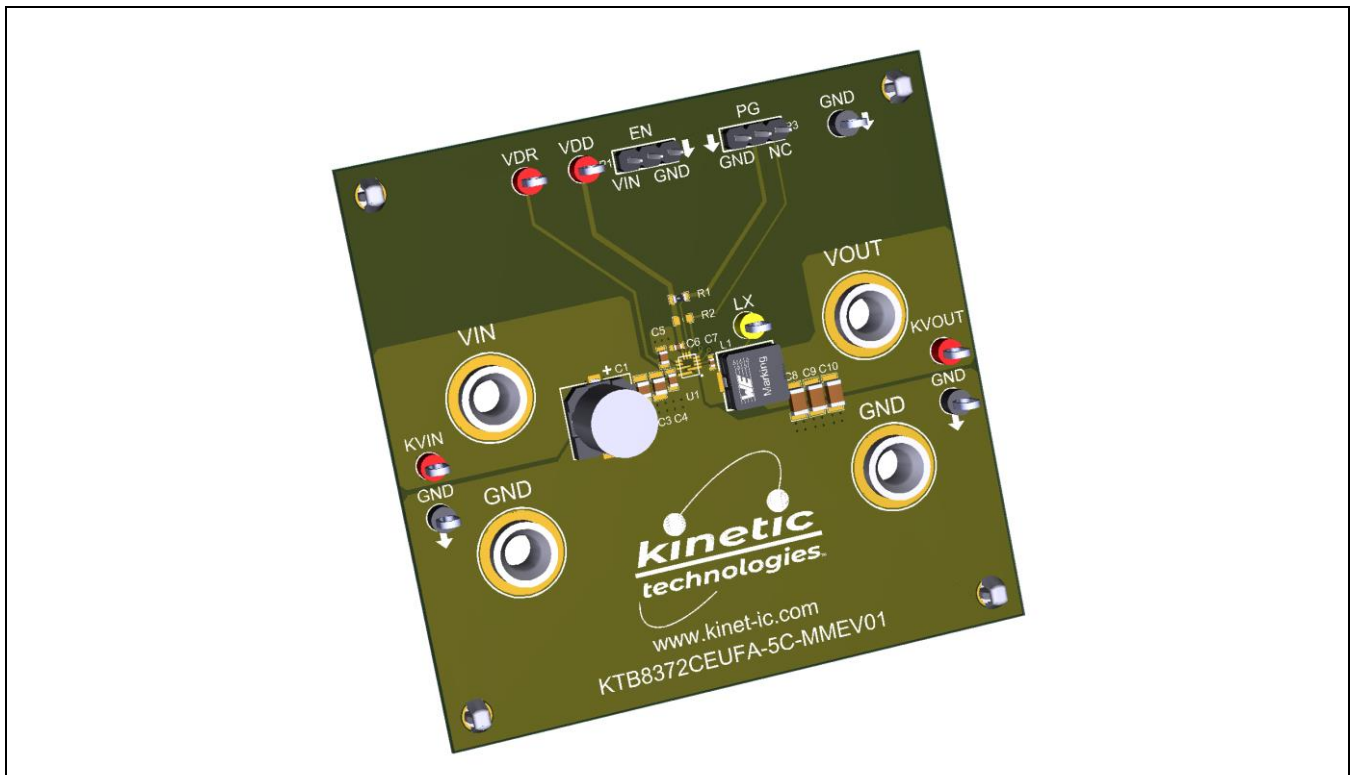
This Manual describes the detailed operation of the KTB8372 evaluation board. KTB8372 is an adaptive-on-time (AOT) buck switching regulator with class-leading accuracy, transient response, efficiency, and solution size optimized for Server, Tablet and Ultra-Book applications. The KTB8372 Evaluation (EVAL) board is used to demonstrate the KTB8372 Buck regulator detailed functionality, performance, and the PCB layout.

The kit includes a fully assembled and tested KTB8372 EVAL board and a printed copy of the Quick Start Guide.

Ordering Information

Part Number	Description	IC Package
KTB8372CEUFA-5C-MMEV01	KTB8372 EVAL Kit	UQFN-11



3D CAD Image



EVAL Kit Physical Contents

Item #	Description	Included	Download
1	KTB8372 EVAL fully assembled PCB in Anti-static bag	1	
2	Hard copy of Quick Start Guide, 1 page (A4 or US Letter)	1	
3	EVAL Kit box	1	
4	EVAL Kit Manual, available at clickable URL		1

QR Links for Documents

IC Datasheet	EVAL Kit Landing Page
 <p data-bbox="282 562 683 590">https://www.kinet-ic.com/KTB8372/</p>	 <p data-bbox="846 562 1458 590">https://www.kinet-ic.com/KTB8372CEUFA-5C-MMEV01/</p>

User-Supplied Equipment

Required Equipment

1. Bench Power Supply for VIN – 20V and 5A as needed for the intended application.
2. Digital Multimeter – used to measure input/output voltages and currents.
3. Load – either power resistors, an E-Load, or an actual system load.

Optional Equipment

1. Oscilloscope and Voltage Probes – for dynamic testing, measurements, and observe input/output voltages and currents waveforms.
2. Additional Digital Multimeters

Recommended Operating Conditions

Symbol	Description	Value	Units
VIN	Input Withstand Voltage	-0.3 to 19	V
	Input Operating Voltage	4.7 to 18	V
I _{OUT}	Output Load Current	0 to 5	A

Jumper Descriptions

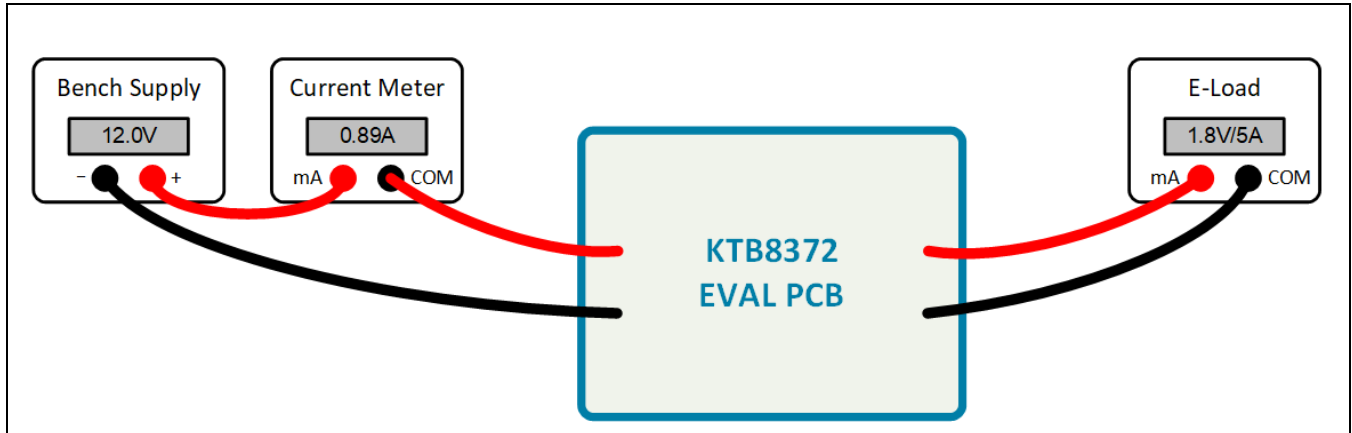
Designator	Name	Description	Default
P1	EN	Active-Low Enable Input: L: Shutdown Mode – switch disabled H: Enable Mode through VIO – normal switch operation	H
P3	PG	Open-drain Power Good Indicator Output. Connect a pull-up resistor between PG pin and VDD pin, a resistor ranges from 10kΩ to 100kΩ is recommended. This pin is pulled to ground when the output voltage is outside of its specified threshold. If not used, tie to AGND or PGND.	-
TP5	VDD	Analog circuit bias voltage	-
TP6	VDR	Power stage driver voltage	-
TP7	LX	Inductor connection for buck regulator.	-
CN1	VIN	Connecting Header for VIN	-
CN2	GND	Connecting Header for GND	-
CN3	VOUT	Connecting Header for VOOUT	-
CN4	GND	Connecting Header for GND	-

Quick Start Procedures

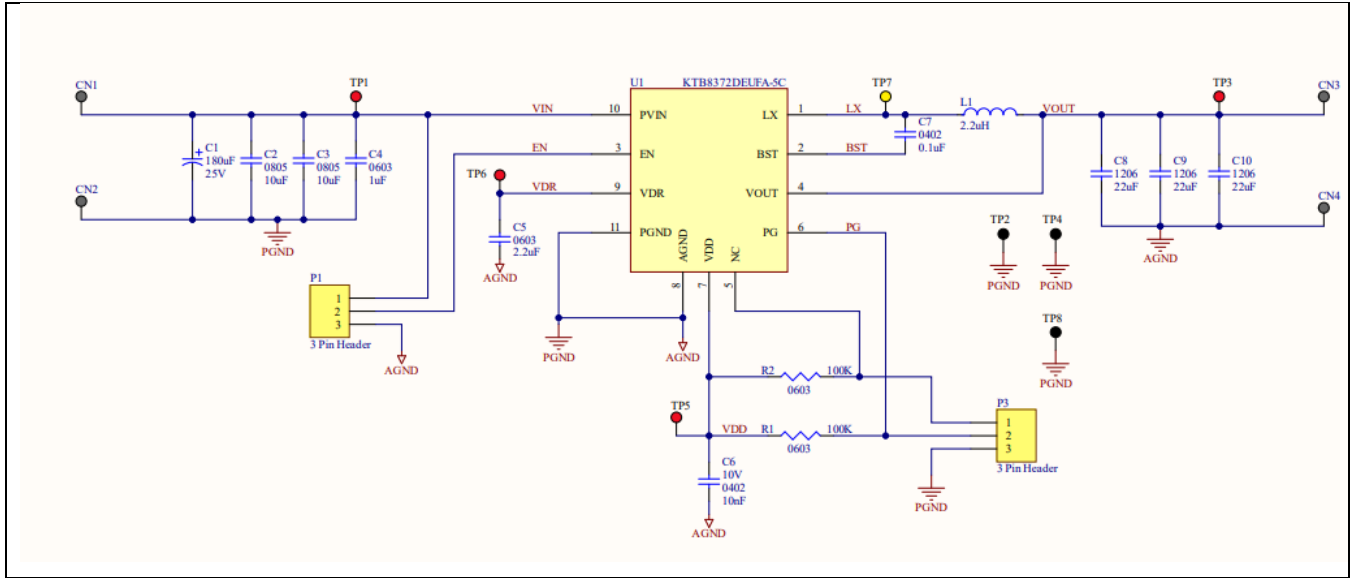
1. EVAL Kit Landing page (<https://www.kinet-ic.com/KTB8372CEUFA-MMEV01/>).
2. Check the Jumpers for default setting.
3. Connect one pair of power cables to the connector of EVAL Kit at VIN and GND.
4. Before connecting the EVAL Kit to the VIN bench supply, turn on the supply and adjust the voltage as close to 0V as possible. Then turn off the supply. While off, connect the power cables ends to the VIN bench supply.
5. Turn on the VIN bench supply and very slowly ramp its voltage to an appropriate voltage, such as 12V. While ramping VIN slowly, use the bench supply’s output current indication (or a digital multimeter) to monitor the VIN current. If the current becomes high, reduce the VIN voltage quickly to prevent damage. Then inspect the setup for any wiring errors.
6. To hardware shutdown the buck regulator, simply use a jumper at P1 to connect EN to GND.
7. Connect a voltage meter to the output KVOUT and KGND test pins, it should measure 1.8V.

Typical Test Setup Diagram

As an example, use the following test setup to measure input/output in the Quick Start Procedures.



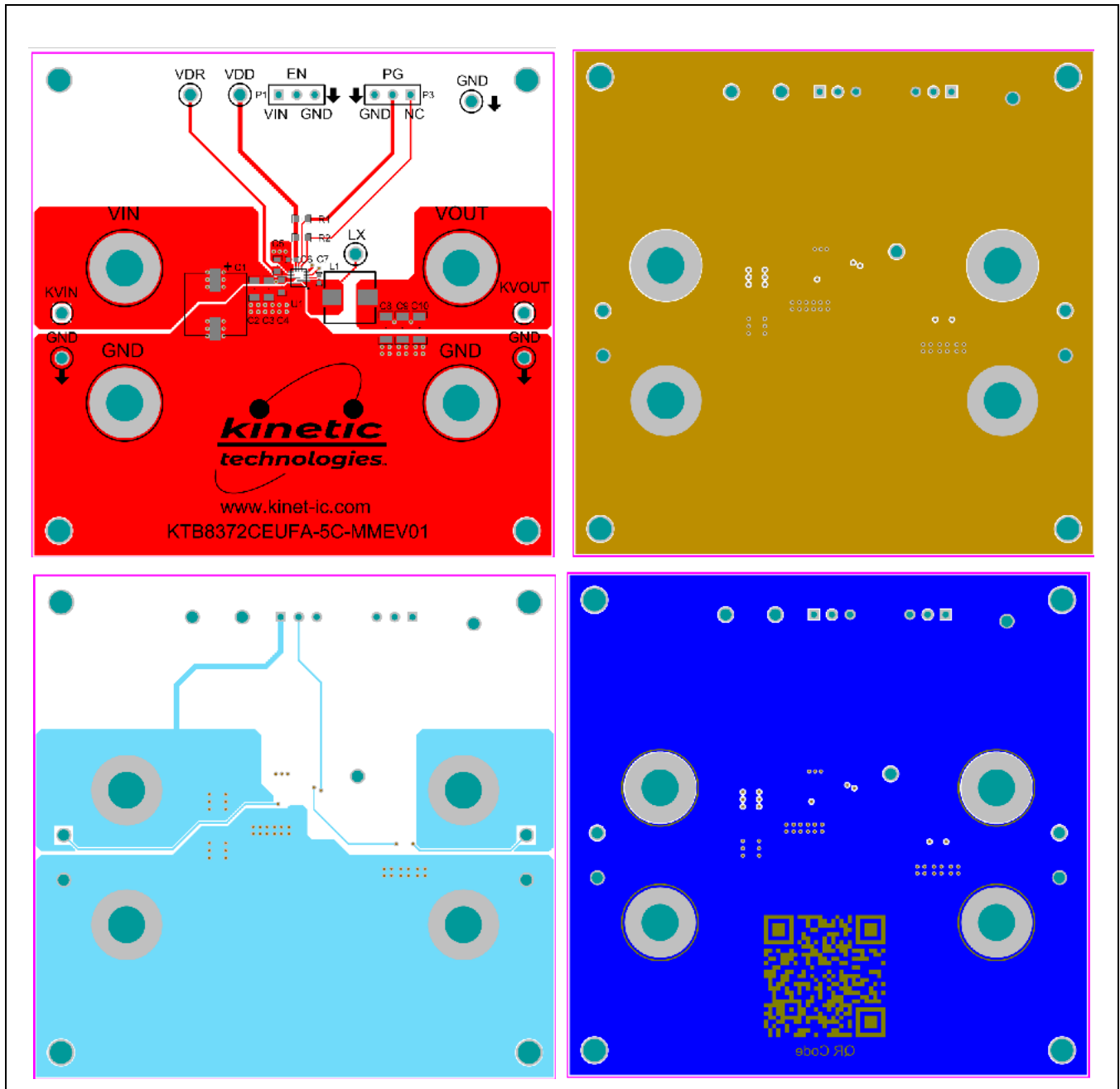
Electrical Schematic



Bill of Materials (BOM)

Quantity	Designator	Description	Value	Package	Manufacturer	Manufacturer Part Number
1	C1	CAP ALUM POLY 180UF 20% 25V SMD	180uF		Panasonic	25SVPF180M
2	C2, C3	CAP 10uF 25V 1206	10uF	0805	Samsung	CL21A106KAYNNNE
1	C4	CAP CER 1uF 25V X5R 0603	1uF	0603	Samsung	CL10A105KA8NNNC
1	C5	CAP CER 2.2UF 10V X5R 0603	2.2uF	0603	Samsung	CL10A225KP8NNNC
1	C6	CAP CER 10000PF 10V X5R 0402	10nF	0402	Samsung	CL05B103KB5NNNC
1	C7	CAP CER 0.1UF 10V X5R 0402	0.1uF	0402	Samsung	CL05A104KA5NNNC
3	C8, C9, C10	CAP CER 22UF 10V X5R 1206	22uF	1206	Samsung	CL31A226KPHNNNE
4	CN1, CN2, CN3, CN4	CONN BANANA JACK SOLDER		TH	Keystone Electronics	575-4
4	H1, H2, H3, H4	BRD SPT SNAP LOCK REST MNT 4MM			Essentra Components	PSD-4M-19
1	L1	FIXED IND 2.2UH 9A 11.4 MOHM SMD	2.2uH	7040	Würth Elektronik	744311220
2	P1, P3	CONN HEADER VERT 3POS 2.54MM		Through Hole	Sullins	PREC003SAAN-RC
2	R1, R2	RES 100K OHM 1% 1/10W 0603	100K	0603	Yageo	RC0603FR-07100KL
4	TP1, TP3, TP5, TP6	PC TEST POINT MULTIPURPOSE RED		Through Hole	Keystone	5010
3	TP2, TP4, TP8	PC TEST POINT MULTIPURPOSE BLACK		Through Hole	Keystone	5011
1	TP7	PC TEST POINT MULTIPURPOSE YELLOW		Through Hole	Keystone	5014
1	U1	4.7V to 17V Input, 5A Synchronous Buck Regulators with AOT Control		SOIC-16	Kinetic Technologies	KTB8372CEUFA-5C-TR

Printed Circuit Board (PCB)

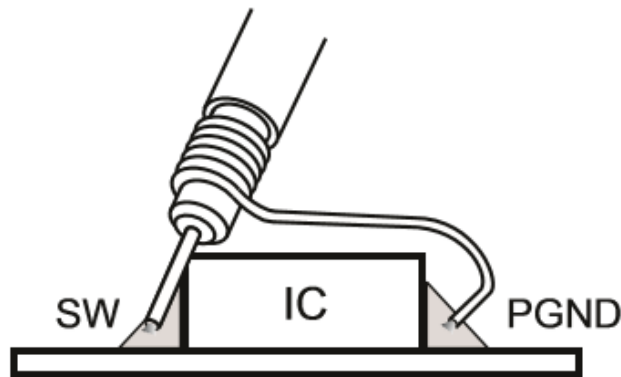


Buck Regulator Efficiency Measurement

Use a voltage meter to probe EVB test pins KVIN and KGND to measure input voltage, and KVOUT and KGND to measure output voltage. Also, connect current meter in series to input voltage source and output load.

The efficiency can be determined using equation:

$$\text{Efficiency (\%)} = [(V_{\text{out}} \times I_{\text{out}}) / (V_{\text{in}} \times I_{\text{in}})] \times 100\%$$



Low Inductance Probe Connection

Important Notices

Legal notice

Copyright © Kinetic Technologies. Other names, brands and trademarks are the property of others.

Kinetic Technologies assumes no responsibility or liability for information contained in this document. Kinetic Technologies reserves the right to make corrections, modifications, enhancements, improvements, and other changes to its products and services at any time and to discontinue any product or services without notice. The information contained herein is believed to be accurate and reliable at the time of printing.

Reference design policy

This document is provided as a design reference and Kinetic Technologies assumes no responsibility or liability for the information contained in this document. Kinetic Technologies reserves the right to make corrections, modifications, enhancements, improvements, and other changes to this reference design documentation without notice.

Reference designs are created using Kinetic Technologies' published specifications as well as the published specifications of other device manufacturers. This information may not be current at the time the reference design is built. Kinetic Technologies and/or its licensors do not warrant the accuracy or completeness of the specifications or any information contained therein.

Kinetic Technologies does not warrant that the designs are production worthy. Customer should completely validate and test the design implementation to confirm the system functionality for the end use application.

Kinetic Technologies provides its customers with limited product warranties, according to the standard Kinetic Technologies terms and conditions.

For the most current product information visit us at www.kinet-ic.com

Life support policy

LIFE SUPPORT: KINETIC TECHNOLOGIES' PRODUCTS ARE NOT DESIGNED, INTENDED, OR AUTHORIZED FOR USE AS COMPONENTS IN LIFE SUPPORT DEVICES OR SYSTEMS. NO WARRANTY, EXPRESS OR IMPLIED, IS MADE FOR THIS USE. AUTHORIZATION FOR SUCH USE SHALL NOT BE GIVEN BY KINETIC TECHNOLOGIES, AND THE PRODUCTS SHALL NOT BE USED IN SUCH DEVICES OR SYSTEMS, EXCEPT UPON THE WRITTEN APPROVAL OF THE PRESIDENT OF KINETIC TECHNOLOGIES FOLLOWING A DETERMINATION BY KINETIC TECHNOLOGIES THAT SUCH USE IS FEASIBLE. SUCH APPROVAL MAY BE WITHHELD FOR ANY OR NO REASON.

“Life support devices or systems” are devices or systems which (1) are intended for surgical implant into the human body, (2) support or sustain human life, or (3) monitor critical bodily functions including, but not limited to, cardiac, respirator, and neurological functions, and whose failure to perform can be reasonably expected to result in a significant bodily injury to the user. A “critical component” is any component of a life support device or system whose failure to perform can be reasonably expected to cause the failure of the life support device or system, or to affect its safety or effectiveness.

SUBSTANCE COMPLIANCE

Kinetic Technologies IC products are compliant with RoHS, formally known as Directive 2002/95/EC of the European Parliament and of the Council of 27 January 2003 on the restriction of the use of certain hazardous substances in electrical and electronic equipment. However, this evaluation kit does not fall within the scope of the EU directives regarding electromagnetic compatibility, restricted substances (RoHS), recycling (WEEE), FCC, CE or UL, and may not meet the requirements of these or related directives. To the best of our knowledge the information is true and correct as of the date of the original publication of the information. Kinetic Technologies bears no responsibility to update such statement.