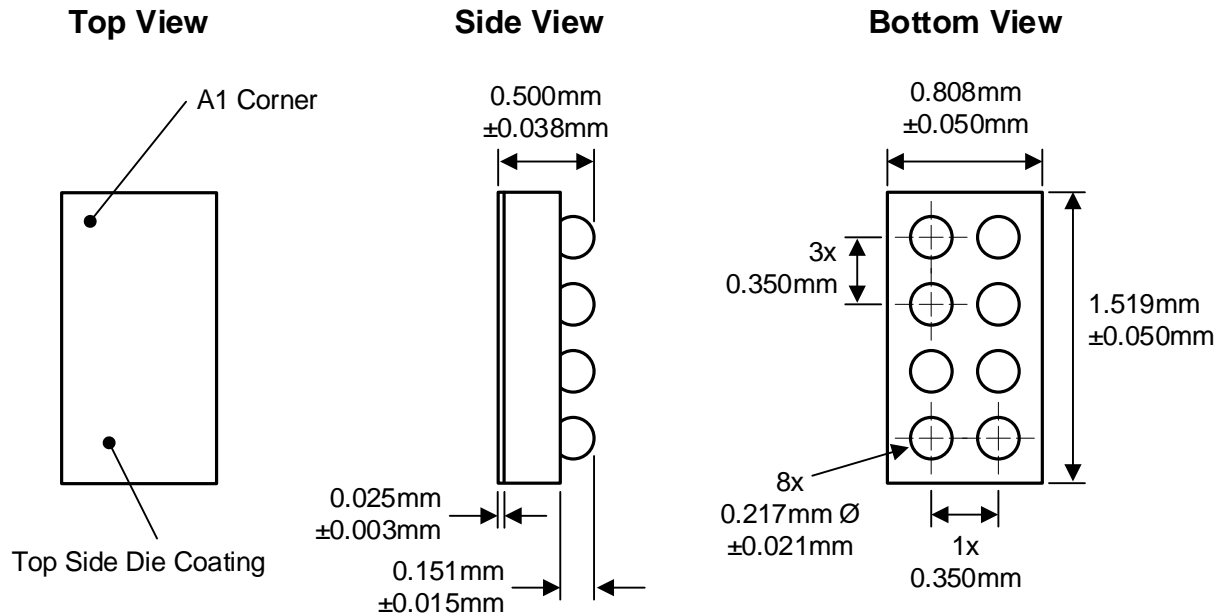


WLCSP24-8
POD-0027

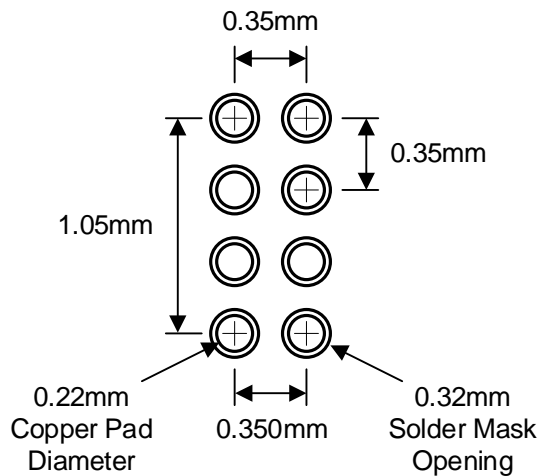
Package Code: RAA

WLCSP24-8 (0.808mm x 1.519mm x 0.500mm)



Recommended Footprint

(NSMD Pad Type)



Kinetic Technologies cannot assume responsibility for use of any circuitry other than circuitry entirely embodied in a Kinetic Technologies product. No intellectual property or circuit patent licenses are implied. Kinetic Technologies reserves the right to change the circuitry and specifications without notice at any time.