

5A_{RMS} VBUS Current-Sink Protection Load Switch

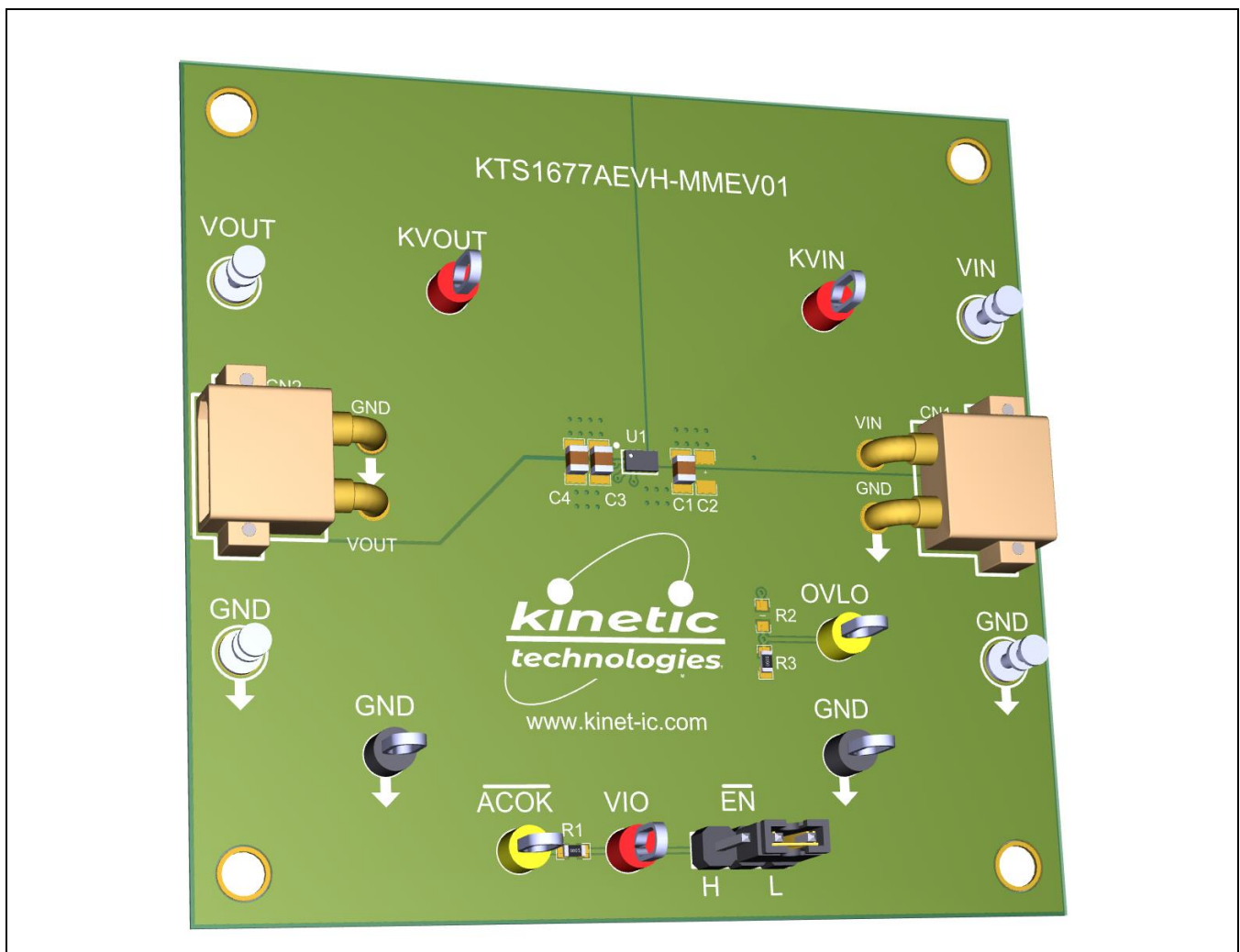
Brief Description

The KTS1677A Evaluation (EVAL) Kit is used to demonstrate and evaluate the KTS1677A functionality, performance, and PCB layout. The kit includes a fully assembled and tested PCB with the KTS1677A IC installed, two pairs of high-current XT30-to-Banana power cables, and a printed copy of the Quick Start Guide (also contained within this document). The KTS1677A has \overline{EN} active-low input logic with internal 1M Ω pull-down.

Ordering Information

Part Number	Description	IC Package
KTS1677AEVH-MMEV01	KTS1677A EVAL Kit	WLCSP-15



3D CAD Image



EVAL Kit Physical Contents

Item #	Description	Quantity
1	KTS1677A EVAL fully assembled PCB	1
2	XT30-to-Banana power cables, red/black pair	2 pairs
3	Anti-static bag	1
4	Quick Start Guide, printed 1 page (A4 or US Letter)	1
5	EVAL Kit box	1

QR Links for Documents

IC Landing Page	EVAL Kit Landing Page
 https://www.kinet-ic.com/kts1677a/	 https://www.kinet-ic.com/kts1677aevh-mmev01

User-Supplied Equipment

Required Equipment

1. Bench Power Supply for VIN – 5V/9V/15V/20V and 0.5A/1.5A/3A/5A, as needed for the intended application. For testing over-voltage protection and withstand voltage, a 29V adjustable bench power supply is preferred.
2. Digital Multimeter – one or more, used to measure input/output voltages and currents.

Optional Equipment

1. Bench Power Supply for VIO – 1.5V to 5V, low current. Needed for shutdown mode ($\overline{EN} = H$) and fault monitoring (\overline{ACOK} pull-up voltage).
2. Oscilloscope – for dynamic testing of voltages (and currents with a current probe, if available).
3. Load – either an eLoad, power resistors, or an actual system load.
4. Additional Digital Multimeters

Recommended Operating Conditions

Symbol	Description	Value	Units
VIN	Absolute Input Withstand Voltage	-0.3 to 30	V
	Input Operating Voltage	3 to 23	V
VIO	VIO Operating Voltage	1.5 to 5.5	V
I _{OUT}	Output Load Current	0 to 5	A

Jumper Descriptions

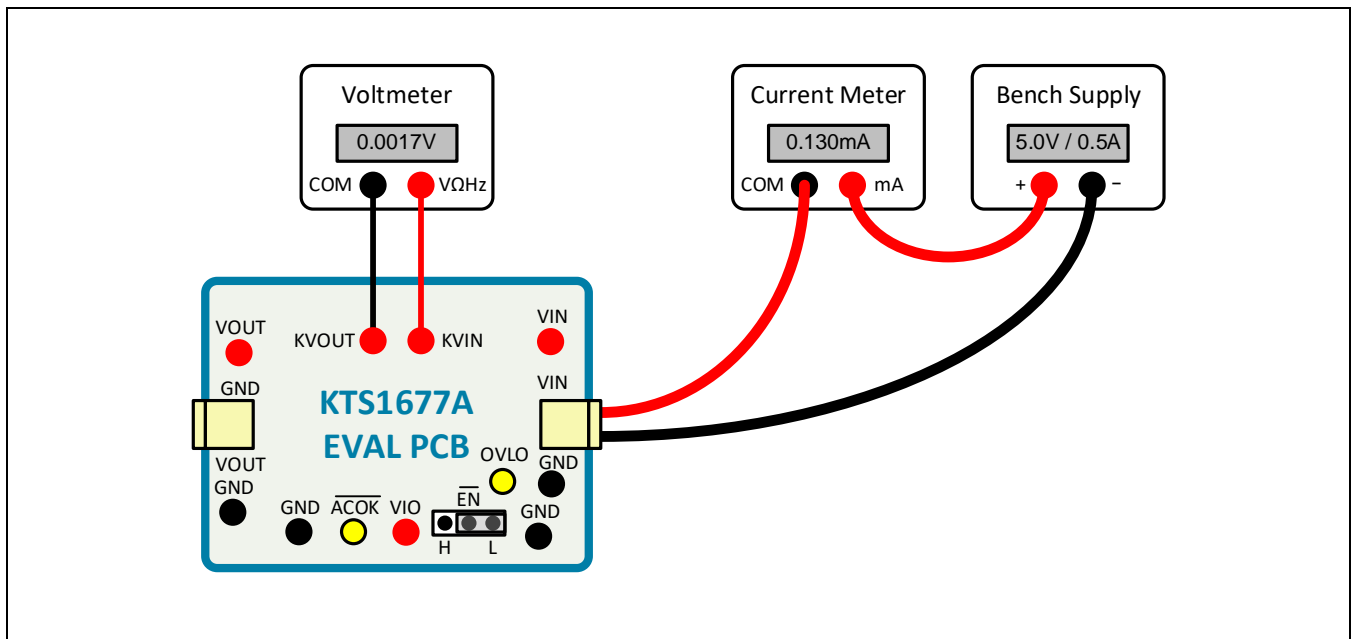
Designator	Name	Description	Default
P1	\overline{EN}	Active-Low Enable Input H: Shutdown Mode – switch disabled (A-Version) L: Enable Mode – normal switch operation (A-Version)	L

Quick Start Procedures

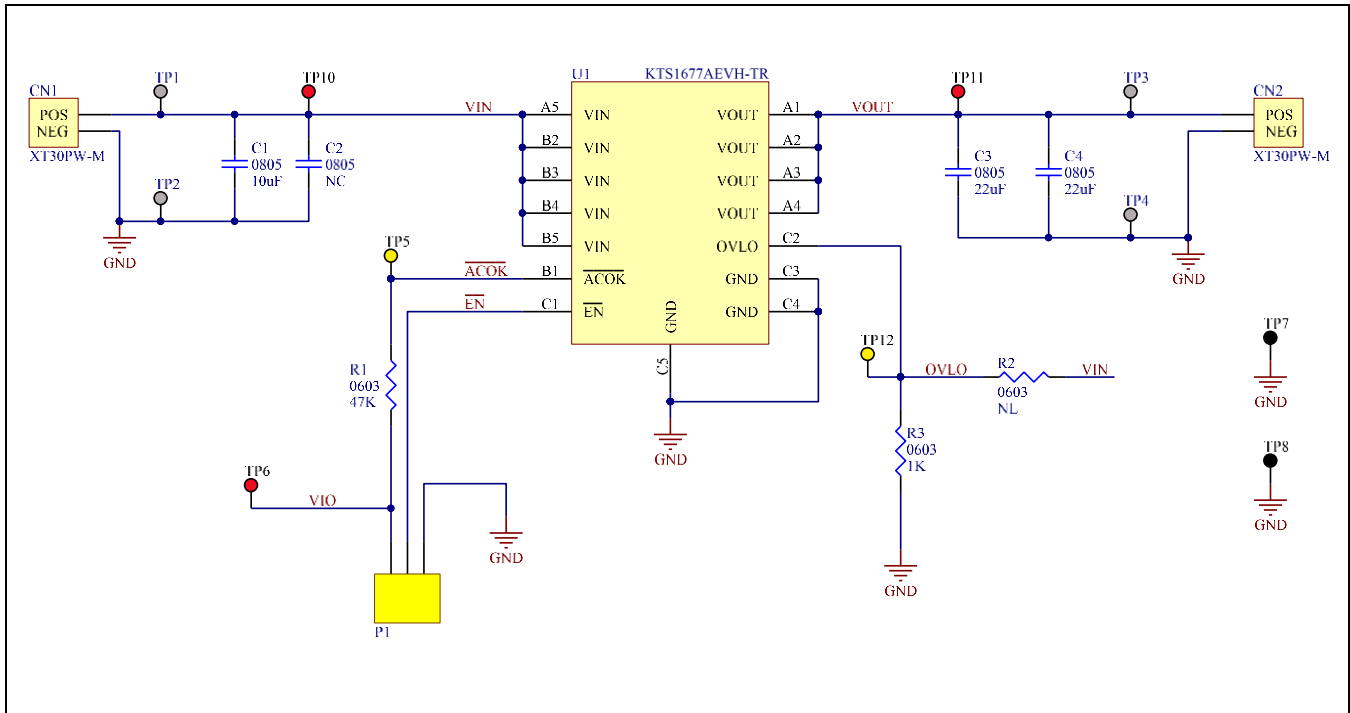
1. Set Jumpers to default: $\overline{EN} = L$
2. Connect one pair of XT30-to-Banana power cables to the XT30 connector at VIN and GND (right edge of EVAL Kit).
3. Before connecting the EVAL Kit to the VIN bench supply, turn on the supply and adjust the voltage as close to 0V as possible. Then turn off the supply. While off, connect the banana ends of the XT30-to-Banana power cables to the VIN bench supply.
4. Turn on the VIN bench supply and very slowly ramp its voltage to an appropriate voltage, such as 5, 9, 12, 15, or 20V. While ramping VIN slowly, use the bench supply's output current indication (or a digital multimeter) to monitor the VIN current. If the current becomes high, reduce the VIN voltage quickly to prevent damage. Then inspect the setup for any wiring errors.
5. With valid VIN voltage, use a digital multimeter to check the output voltage between the KVOUT and GND terminals on the EVAL Kit. It should be nearly the same as the input voltage.
6. Use a digital multimeter to check the "ideal diode" droop regulation voltage between the KVIN and KVOUT terminals on the EVAL Kit. At light-load conditions (<50mA), it should be close to 1.7mV.
7. Use a digital multimeter to check the no-load supply current at VIN. Consult the KTS1677A datasheet for the expected current range at the VIN voltage condition in use. For conditions of VIN = 5.0V, $\overline{EN} = L$, and no-load, it should be close to 130 μ A.

Typical Test Setup Diagram

As an example, use the following test setup to measure items 6 and 7 in the Quick Start Procedures.



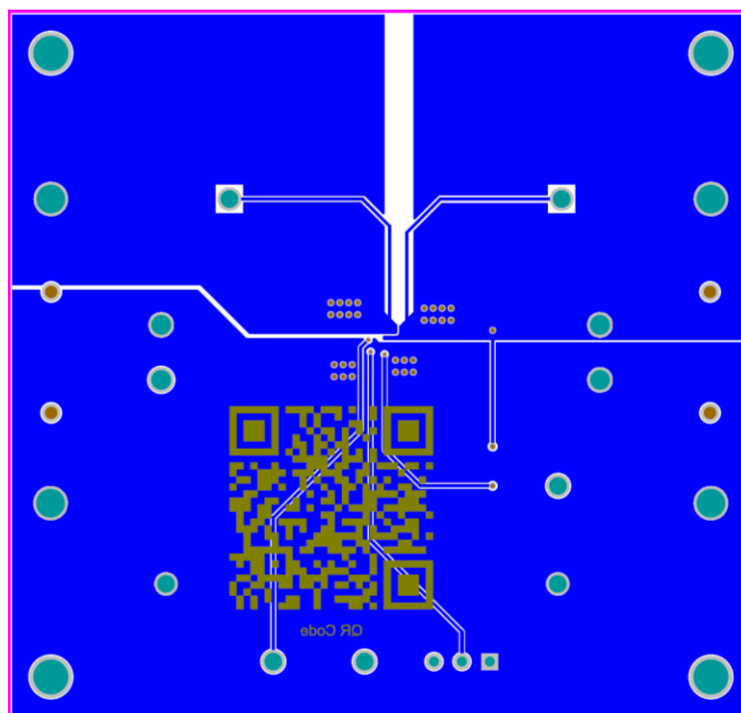
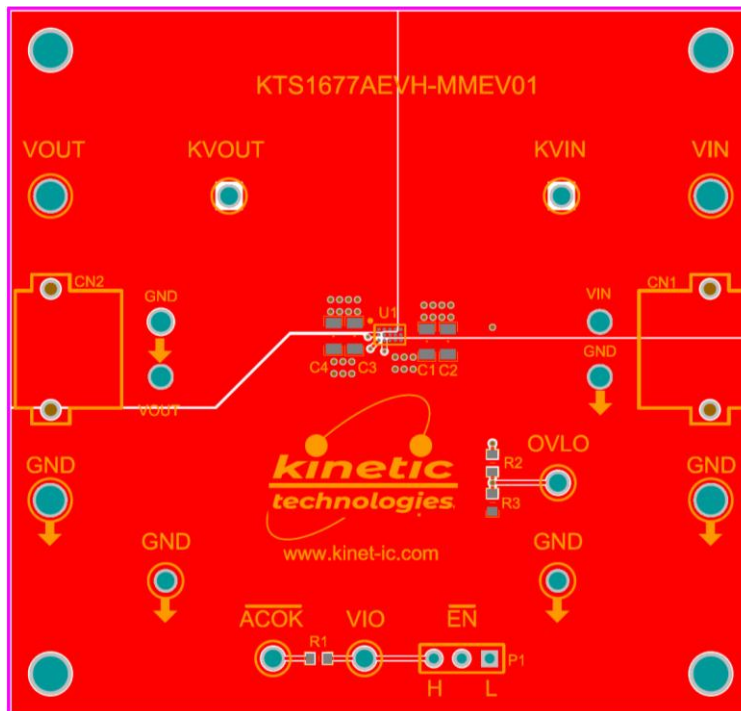
Electrical Schematic



Bill of Materials (BOM)

Item #	Quantity	Designator	Description	Value	Package	Manufacturer	Manufacturer Part Number	Digikey Part Number	Mouser Part Number
1	1	C1	CAP CER 10uF 50V X5R 0805	10uF	0805	Murata	GRM21BR61H106KE43L	490-18663-1-ND	81-GRM21BR61H106KE3L
2	1	C2	CAP 0805	NC	0805				
3	2	C3, C4	CAP CER 22uF 25V X5R 0805	22uF	0805	Murata	GRM21BR61E226ME44L	490-10749-1-ND	81-GRM21BR61E226ME4L
4	2	CN1, CN2	30A Right Angle Through Hole Power Connectors			AMASS	XT30PW-M		
5	4	H1, H2, H3, H4	BRD SPT SNAP LOCK REST MNT 4MM			Essentra Components	PSD-4M-19	PSD-4M-19-ND	144-PSD-4M-19
6	1	P1	Header with jumper connects pin 1 to pin 2		TH	Sullins	PREC003SAAN-RC	S1012EC-03-ND	
7	1	R1	RES 47K OHM 1% 1/10W 0603	47K	0603	Yageo	RC0603FR-0747KL	311-47.0KHRCT-ND	603-RC0603FR-0747KL
8	1	R2	RES 0603	NL	0603				
9	1	R3	RES 1K OHM 1% 1/10W 0603	1K	0603	Yageo	RC0603FR-071KL	311-1.00KHRCT-ND	603-RC0603FR-071KL
10	4	TP1, TP2, TP3, TP4	TERM TURRET SINGLE L=5.56MM TIN		TH	Keystone	1502-2	36-1502-2-ND	534-1502-2
11	2	TP5, TP12	PC TEST POINT MULTIPURPOSE YELLOW		TH	Keystone	5014	36-5014-ND	534-5014
12	3	TP6, TP10, TP11	PC TEST POINT MULTIPURPOSE RED		TH	Keystone	5010	36-5010-ND	534-5010
13	2	TP7, TP8	PC TEST POINT MULTIPURPOSE BLACK		TH	Keystone	5011	36-5011-ND	534-5011
14	1	U1	Low RON Load Switch with Overvoltage and Reverse Blocking Protection		WLCSP-15	Kinetic Technologies	KTS1677AEVH-TR		389-KTS1677AEVH-TR

Printed Circuit Board (PCB)



Additional Test Procedures

1. Logic Pins Testing:
 - a. Before connecting the EVAL Kit to the VIO bench supply, turn on the supply and adjust the voltage as close to 0V as possible. Then turn off the supply. While off, connect the VIO bench supply to VIO and GND terminals on the EVAL Kit (with user-supplied banana-to-clip leads).
 - b. Turn on the VIO bench supply and very slowly ramp its voltage to an appropriate voltage, such as 1.8, 3.3, or 5V. While ramping VIO slowly, use the bench supply's output current indication (or a digital multimeter) to monitor the VIO current. If the current becomes high, reduce the VIO voltage quickly to prevent damage. Then inspect the setup for any wiring errors.
 - c. With valid VIO and VIN voltages, check the \overline{EN} and \overline{ACOK} functionality. Check the shutdown supply current at VIN with $\overline{EN} = H$. With $\overline{EN} = L$, check the \overline{ACOK} flag pulls high to VIO when $VIN < 2.5V$ and when $VIN > 24V$.
2. Testing with Load:
 - a. Use the second XT30-to-Banana power cable pair to apply loads from VOUT to GND.
 - b. Under heavy-load conditions, use caution. The KTS1677A IC may become hot; avoid skin contact. The "ideal diode" droop regulation voltage between the KVIN and KVOUT terminals at 3A load condition should be close to 100mV.
 - c. Use multimeters and an oscilloscope to make DC and transient measurements as desired.

Setting OVLO

By default, the EVAL Kit uses the internal 23V setting for the Over-Voltage Protection (OVP) threshold. The OVLO pin and associated resistive voltage divider (R2, R3) are used to externally set the over-voltage threshold in the range of 4V to 23V. As shipped, R2 is not populated and R3 is populated with a 1k Ω pull-down so that OVLO is 0V and the KTS1677A uses the internal 23V setting.

To set a different OVP threshold using the OVLO pin, populate R2. See the KTS1677A datasheet to calculate the necessary value of resistance.

Adding Additional Input Capacitance

The CIN input capacitance of the EVAL Kit is 10 μ F by design. 10 μ F is the maximum allowed by USB standards on the VBUS pin of the USB connector. However, for non-standard applications, the C2 footprint (not populated) is available to add additional input capacitance.

Evaluating Other ICs

This EVAL Kit may optionally be used to evaluate the similar KTS1677B, KTS1698A and KTS1698B VBUS current-sink protection load switch. Before ordering samples of these devices, please confirm capability to reflow and exchange WLCSP devices.

Troubleshooting

Symptom	Root Cause	Solution
\overline{ACOK} does not go high during faults.	VIO supply is off or not connected.	Connect and enable a VIO pull-up supply. \overline{ACOK} has an Absolute Maximum Rating of 6V.
$\overline{EN} = H$ does not disable the switch.	VIO supply is off or not connected.	Connect and enable a VIO pull-up supply. Optionally, remove the jumper on P1 and connect \overline{EN} (at pin 2 of P1) to VIN with a clip-to-clip lead. \overline{EN} has an Absolute Maximum Rating of 29V.

Important Notices

Legal notice

Copyright © Kinetic Technologies. Other names, brands and trademarks are the property of others.

Kinetic Technologies assumes no responsibility or liability for information contained in this document. Kinetic Technologies reserves the right to make corrections, modifications, enhancements, improvements, and other changes to its products and services at any time and to discontinue any product or services without notice. The information contained herein is believed to be accurate and reliable at the time of printing.

Reference design policy

This document is provided as a design reference and Kinetic Technologies assumes no responsibility or liability for the information contained in this document. Kinetic Technologies reserves the right to make corrections, modifications, enhancements, improvements, and other changes to this reference design documentation without notice.

Reference designs are created using Kinetic Technologies' published specifications as well as the published specifications of other device manufacturers. This information may not be current at the time the reference design is built. Kinetic Technologies and/or its licensors do not warrant the accuracy or completeness of the specifications or any information contained therein.

Kinetic Technologies does not warrant that the designs are production worthy. Customer should completely validate and test the design implementation to confirm the system functionality for the end use application.

Kinetic Technologies provides its customers with limited product warranties, according to the standard Kinetic Technologies terms and conditions.

For the most current product information visit us at www.kinet-ic.com

Life support policy

LIFE SUPPORT: KINETIC TECHNOLOGIES' PRODUCTS ARE NOT DESIGNED, INTENDED, OR AUTHORIZED FOR USE AS COMPONENTS IN LIFE SUPPORT DEVICES OR SYSTEMS. NO WARRANTY, EXPRESS OR IMPLIED, IS MADE FOR THIS USE. AUTHORIZATION FOR SUCH USE SHALL NOT BE GIVEN BY KINETIC TECHNOLOGIES, AND THE PRODUCTS SHALL NOT BE USED IN SUCH DEVICES OR SYSTEMS, EXCEPT UPON THE WRITTEN APPROVAL OF THE PRESIDENT OF KINETIC TECHNOLOGIES FOLLOWING A DETERMINATION BY KINETIC TECHNOLOGIES THAT SUCH USE IS FEASIBLE. SUCH APPROVAL MAY BE WITHHELD FOR ANY OR NO REASON.

“Life support devices or systems” are devices or systems which (1) are intended for surgical implant into the human body, (2) support or sustain human life, or (3) monitor critical bodily functions including, but not limited to, cardiac, respirator, and neurological functions, and whose failure to perform can be reasonably expected to result in a significant bodily injury to the user. A “critical component” is any component of a life support device or system whose failure to perform can be reasonably expected to cause the failure of the life support device or system, or to affect its safety or effectiveness.

SUBSTANCE COMPLIANCE

Kinetic Technologies IC products are compliant with RoHS, formally known as Directive 2002/95/EC of the European Parliament and of the Council of 27 January 2003 on the restriction of the use of certain hazardous substances in electrical and electronic equipment. However, this evaluation kit does not fall within the scope of the EU directives regarding electromagnetic compatibility, restricted substances (RoHS), recycling (WEEE), FCC, CE or UL, and may not meet the requirements of these or related directives. To the best of our knowledge the information is true and correct as of the date of the original publication of the information. Kinetic Technologies bears no responsibility to update such statement.