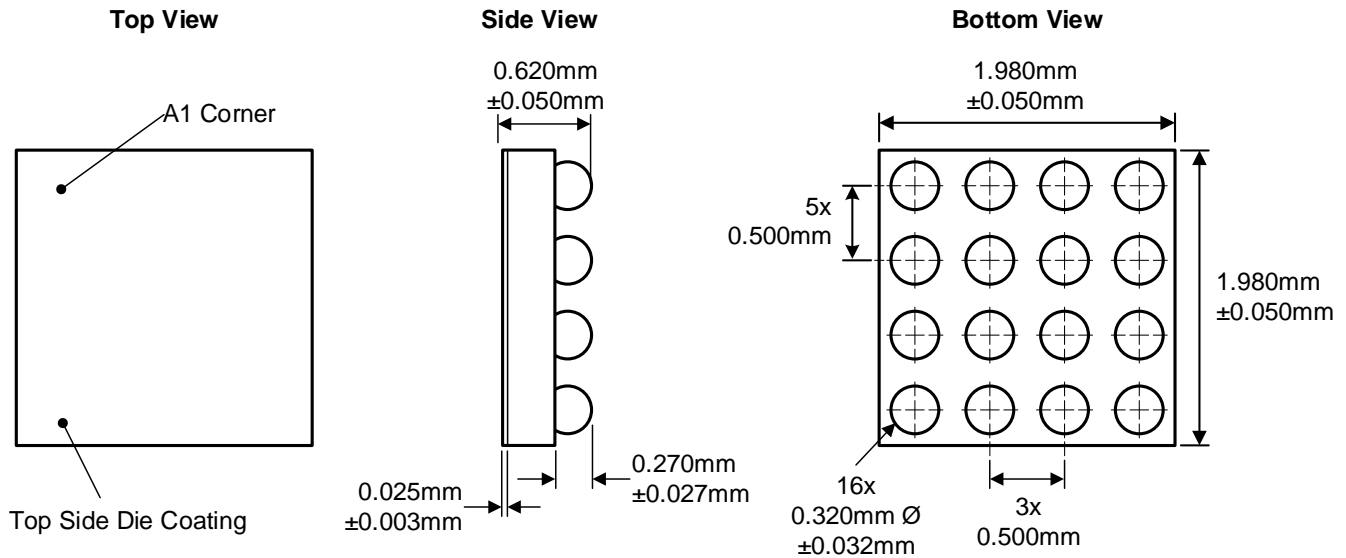


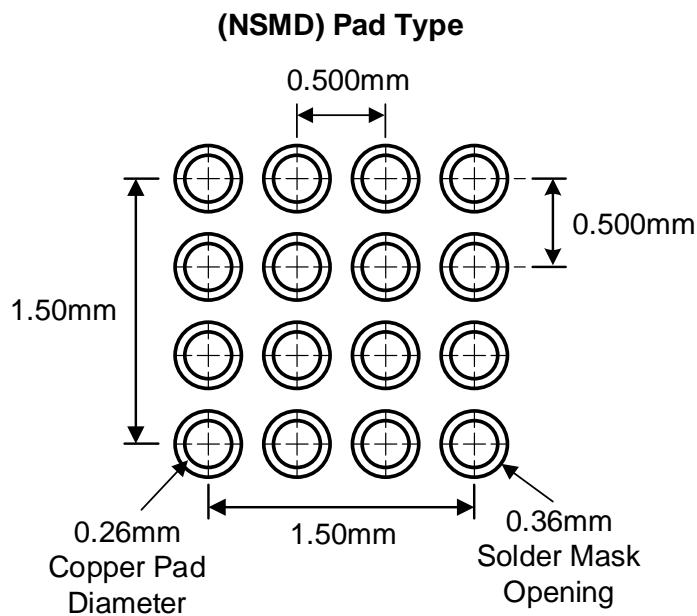
WLCSP44-16

Package Code: GAA

WLCSP44-16 (1.980mm x 1.980mm x 0.620mm)



Recommended Footprint



Kinetic Technologies cannot assume responsibility for use of any circuitry other than circuitry entirely embodied in a Kinetic Technologies product. No intellectual property or circuit patent licenses are implied. Kinetic Technologies reserves the right to change the circuitry and specifications without notice at any time.