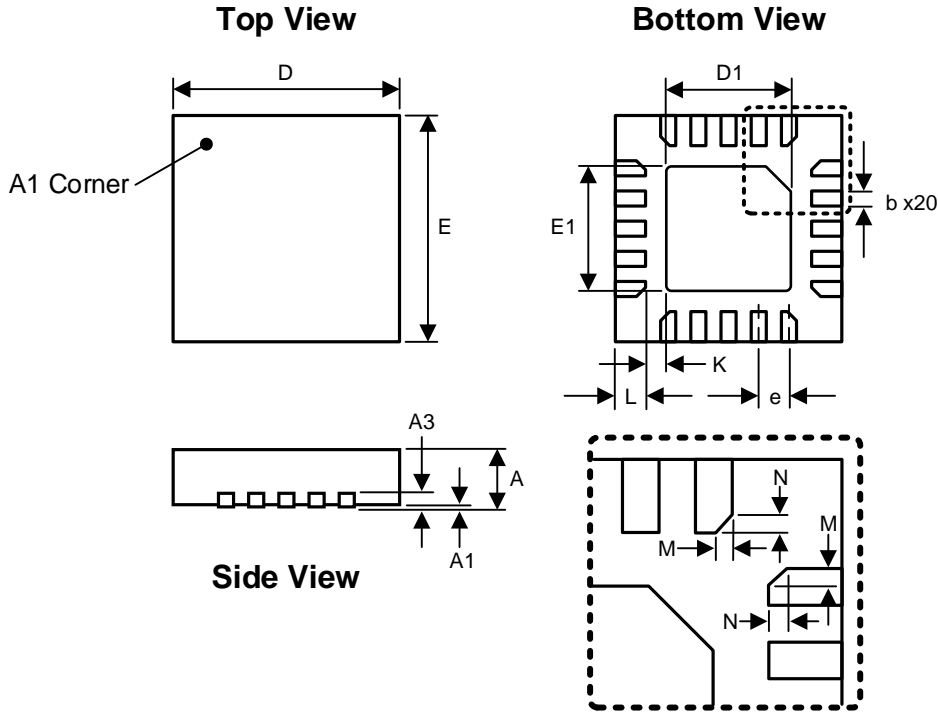


## WQFN33-20

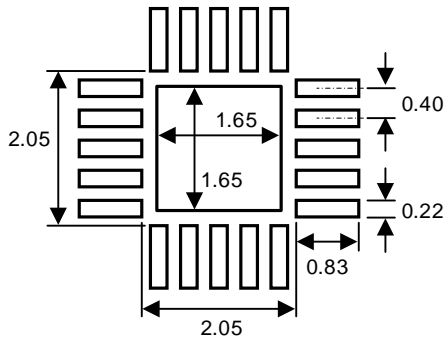
**Package Code: UAJ**

WQFN33-20 (3.00mm x 3.00mm x 0.75mm)



Dimension	mm		
	Min.	Typ.	Max.
A	0.70	0.75	0.80
A1	0.00	0.02	0.05
A3	0.203 REF		
b	0.15	0.20	0.25
D	2.90	3.00	3.10
D1	1.60	1.65	1.70
E	2.90	3.00	3.10
E1	1.60	1.65	1.70
e	0.40 BSC		
K	0.20	-	-
L	0.30	0.40	0.50
M	-	0.10	-
N	-	0.10	-

### Recommended Footprint



Kinetic Technologies cannot assume responsibility for use of any circuitry other than circuitry entirely embodied in a Kinetic Technologies product. No intellectual property or circuit patent licenses are implied. Kinetic Technologies reserves the right to change the circuitry and specifications without notice at any time.